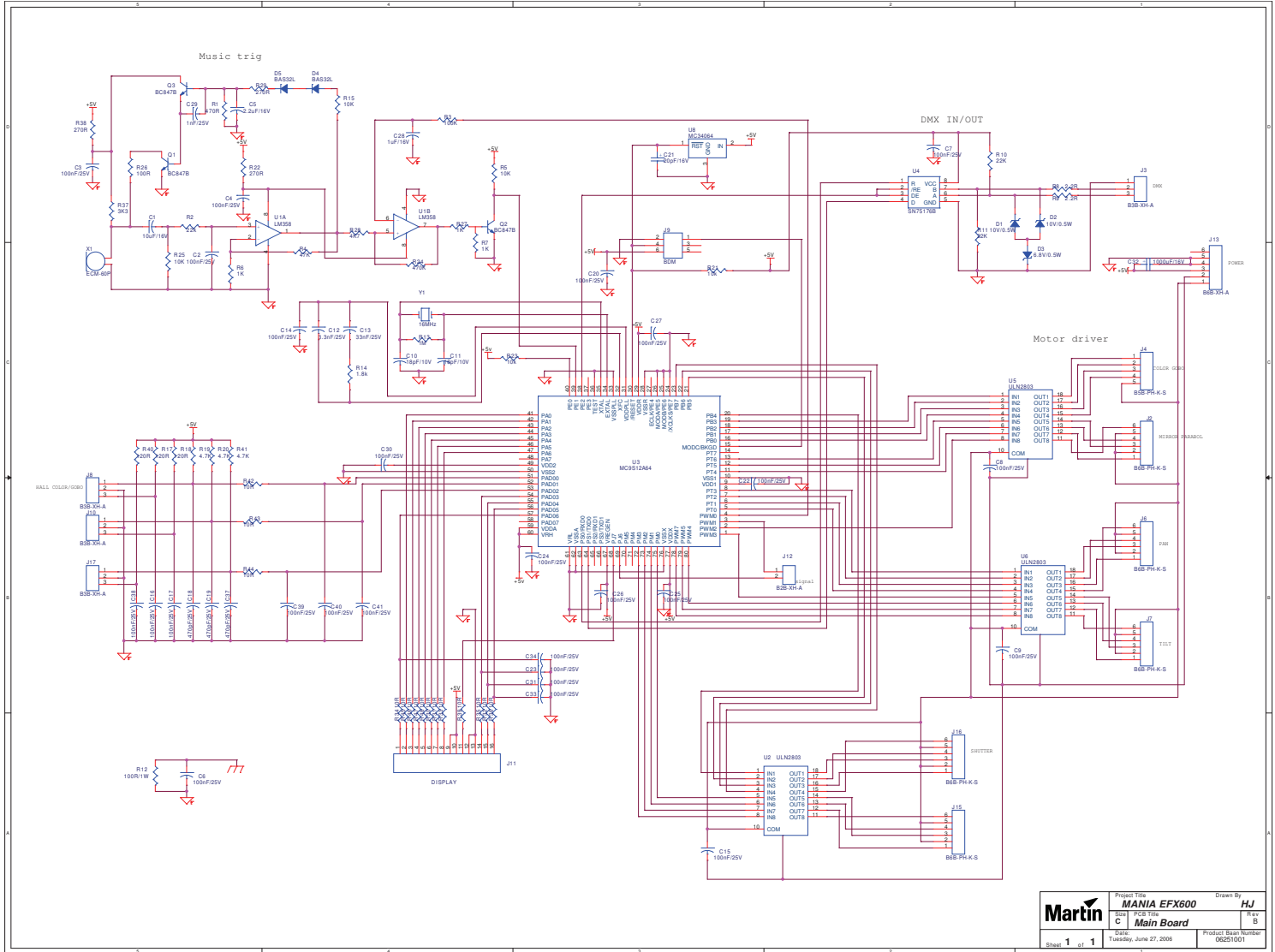
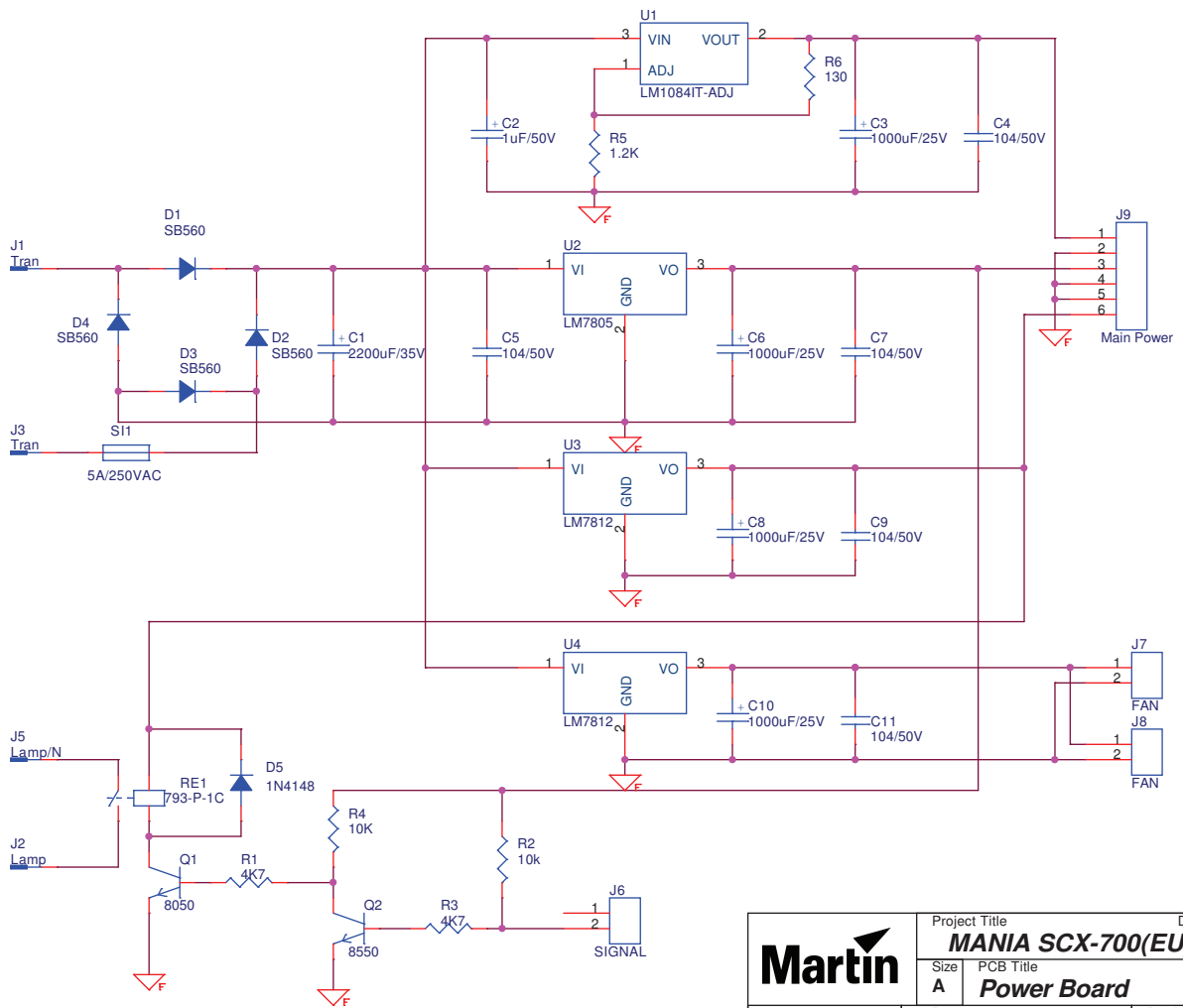
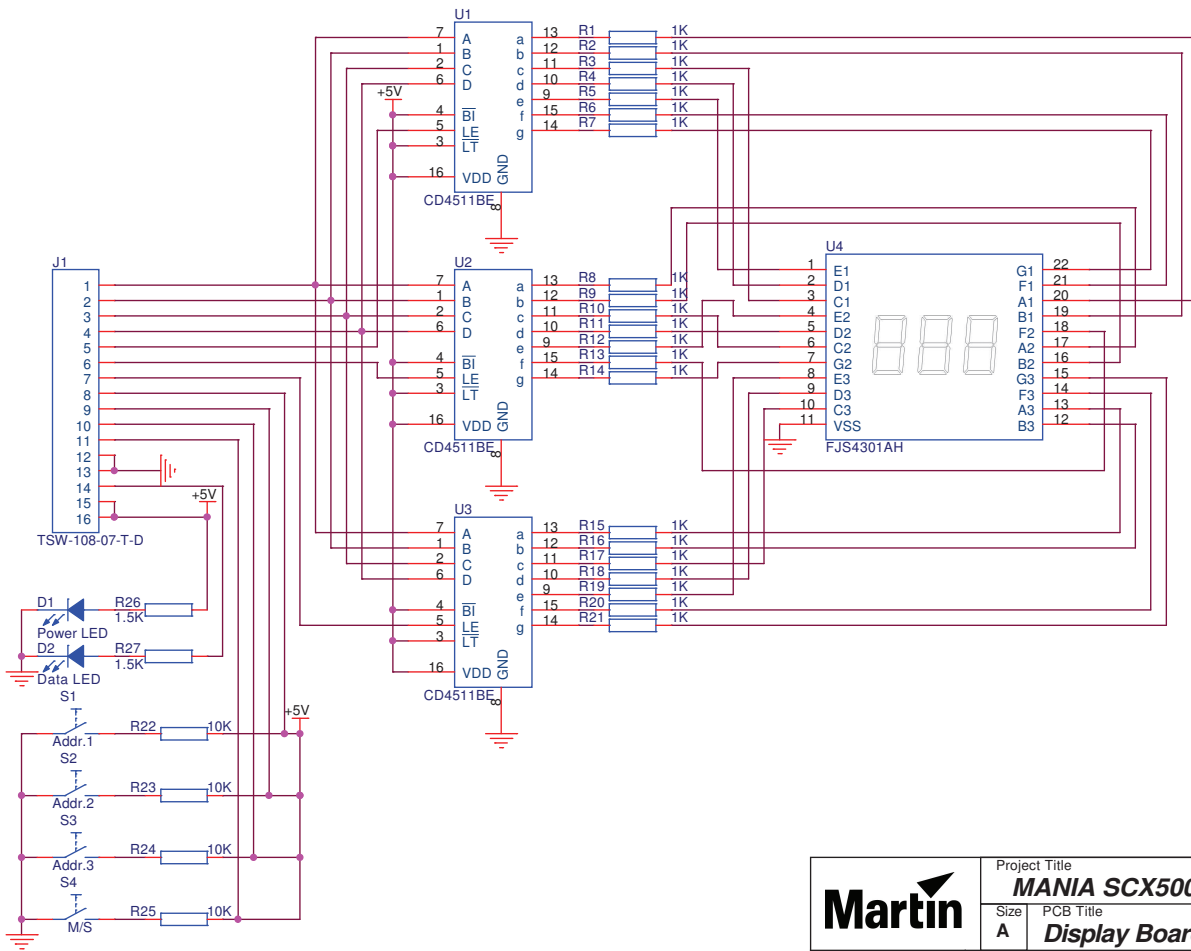


Martin	Project Title		Drawn By
	MANIA EFX600		BS
Size	PCB Title		Rev
A	Hall Sensor		B
Date:		Product Baan Number	
Tuesday, June 27, 2006		6200 0111	
Sheet 1 of 1			





Martin	Project Title		Drawn By	
	MANIA SCX-700(EU)		BS	
Size	PCB Title			Rev
A	Power Board			B
Date:		Product Baan Number		
Monday, September 12, 2005		62020076-B		
Sheet 1 of 1				



Martin	Project Title	MANIA SCX500	Drawn By	BS
	Size	A	PCB Title	Display Board
Sheet 1 of 1	Date:	Monday, March 05, 2007	Product Baan Number	62000506
			Rev	B